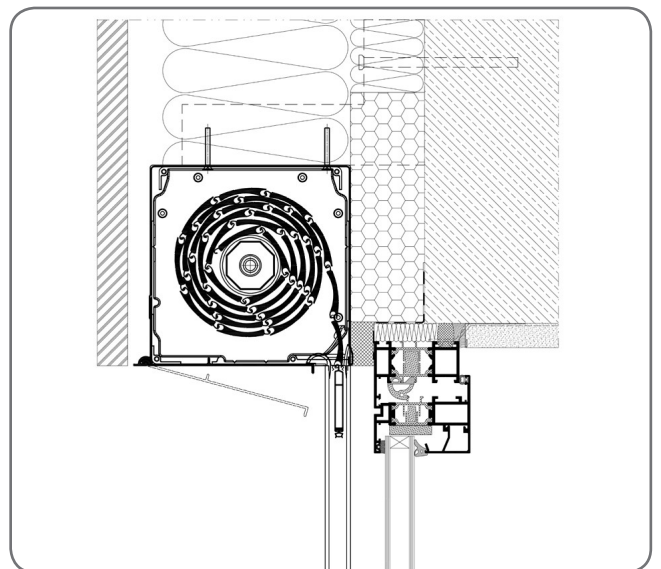
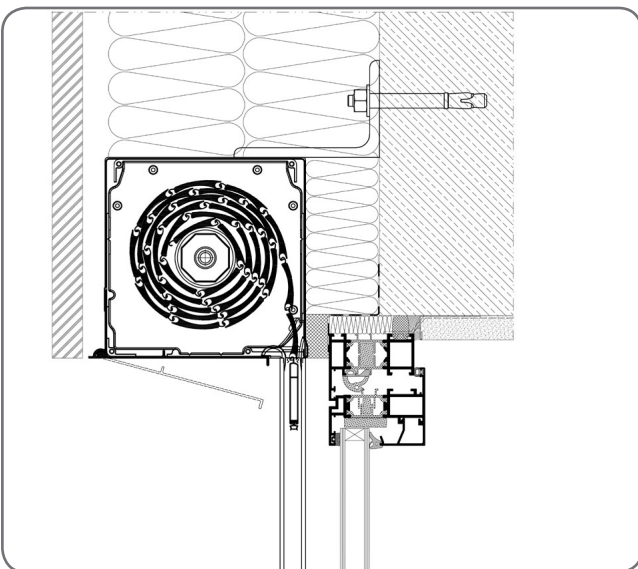
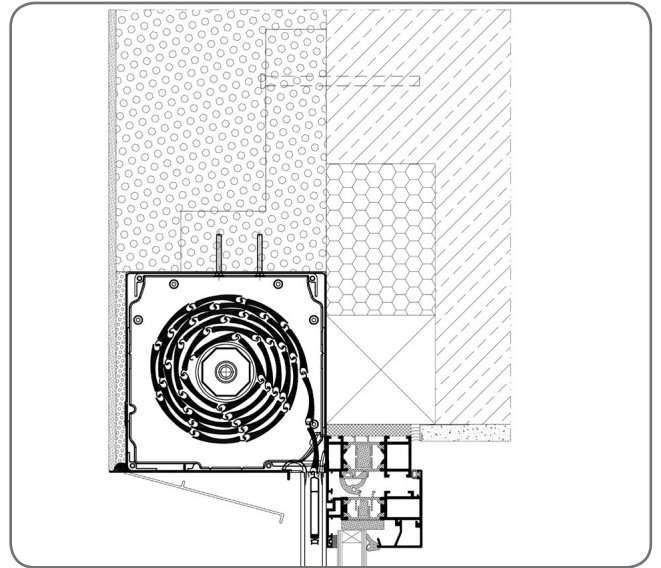
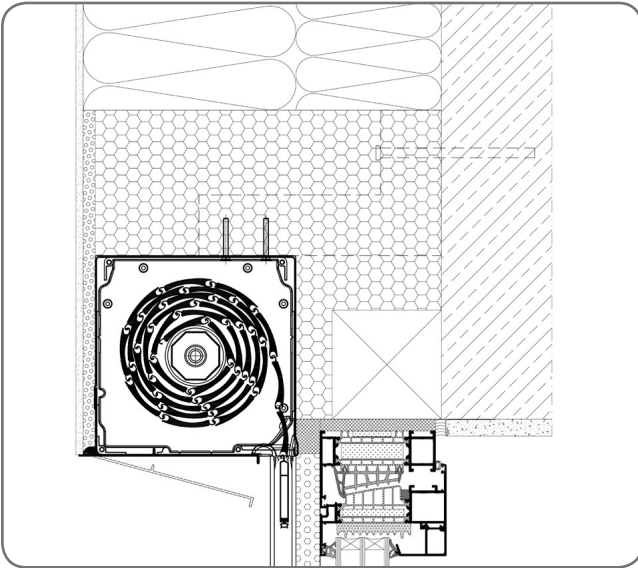
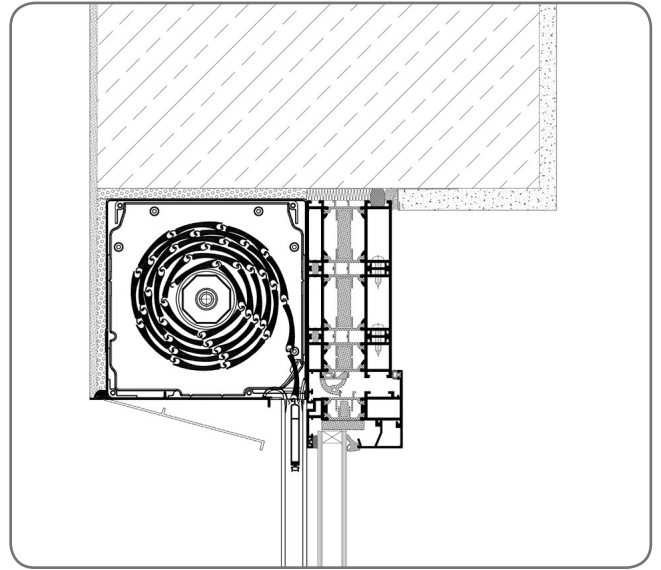
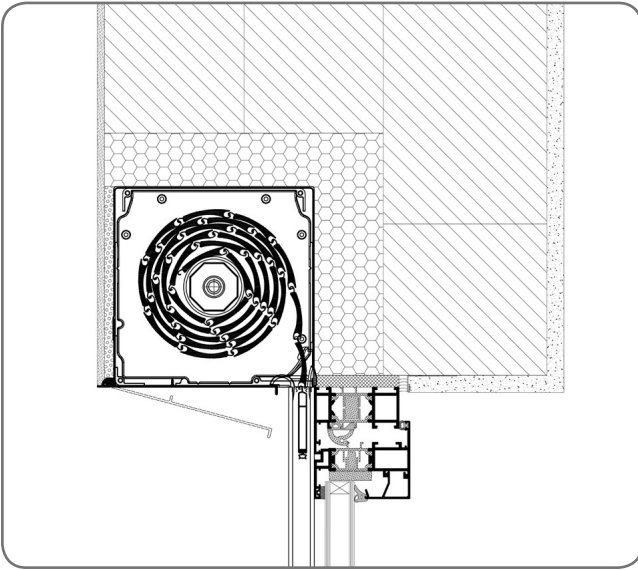


1.2. SP-E System



## 2. DETERMINATION OF ROLLER SHUTTER DIMENSIONS



1. In the under plaster system dimensions of roller shutter are determined individually depending on the installation.
2. When determining the dimensions take into account the size of shutter box..

3. Where:

S - RECESS WIDTH

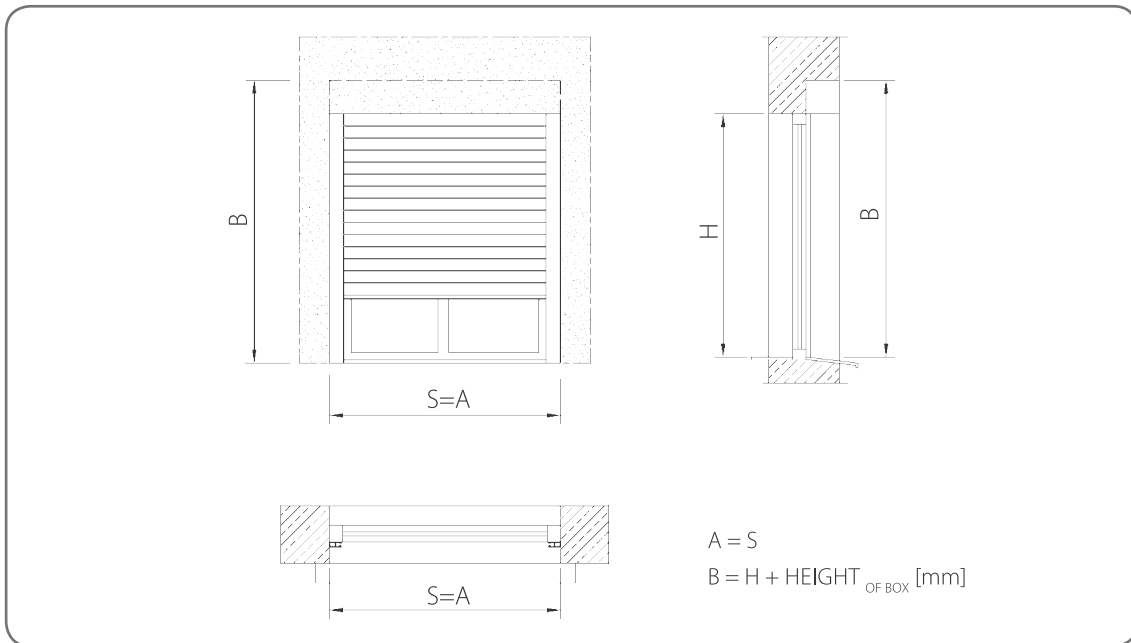
H - RECESS HEIGHT

A - ROLLER SHUTTER WIDTH

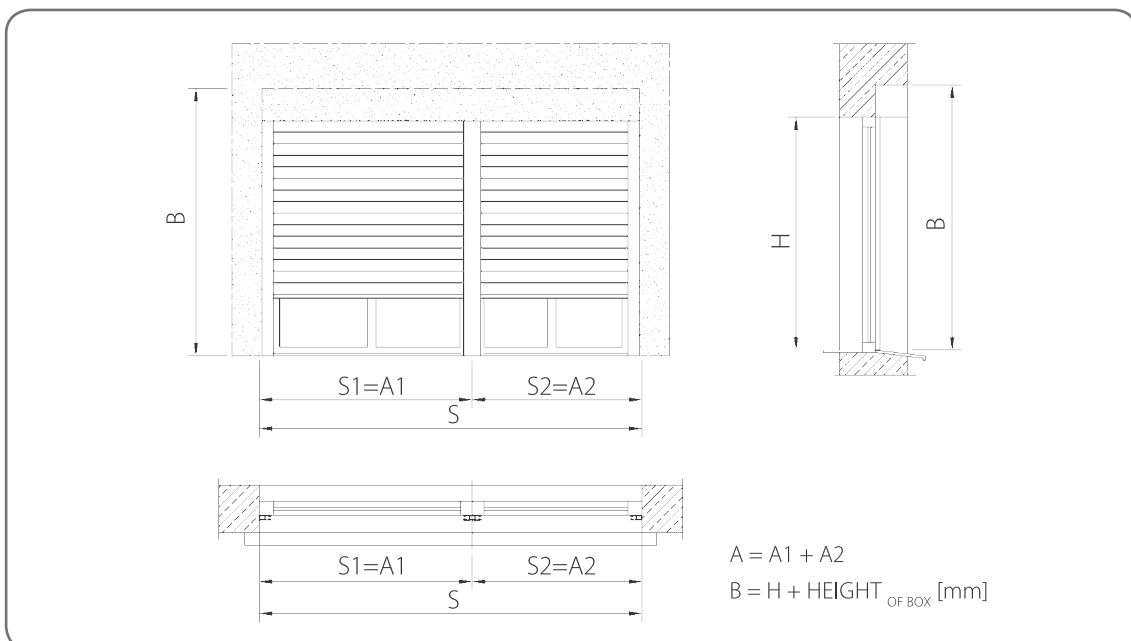
B - HEIGHT OF ROLLER SHUTTER

### 2.1. Roller shutter installed in a window recess - external rolling

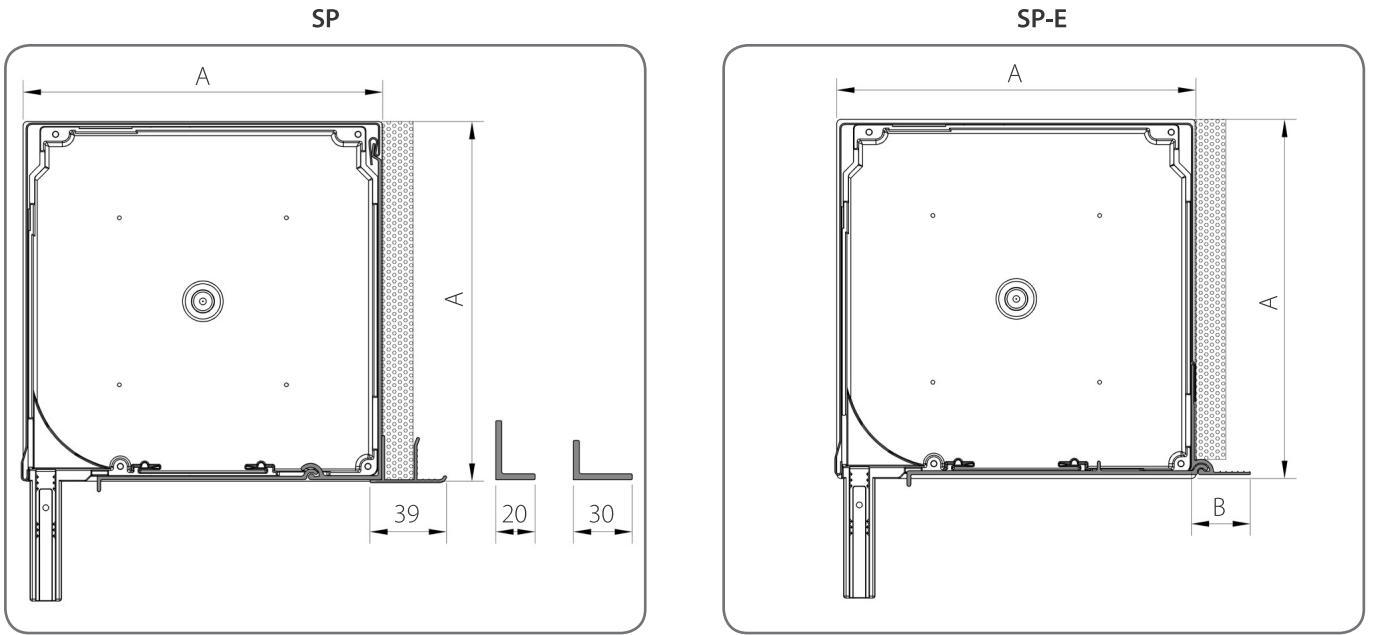
#### a) Single roller shutter



#### b) Set of two identical height roller shutters with internal end cap BSW\_90



**2.2. Dimensions of under plaster shutter boxes**



System	Type of box	A [mm]	B [mm]
<b>SP</b>	SP / 137	140	
	SP / 150	153	
	SP / 165	168	
	SP / 180	183	
	SP / 205	209	
<b>SP-E</b>	SP-E / 137	140	15, 30, 45, 105
	SP-E / 150	153	
	SP-E / 165	168	
	SP-E / 180	183	
	SP-E / 205	209	

**2.3. Maximum depth to built in guide channels**

includes guide channels: PP45, PP53, PP53/ODS, PP53/ODS/20, PPMO53, PP66, PPW66, PP68, PPW80

