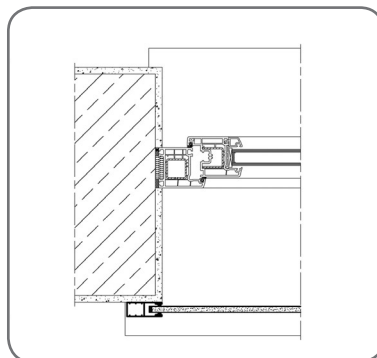
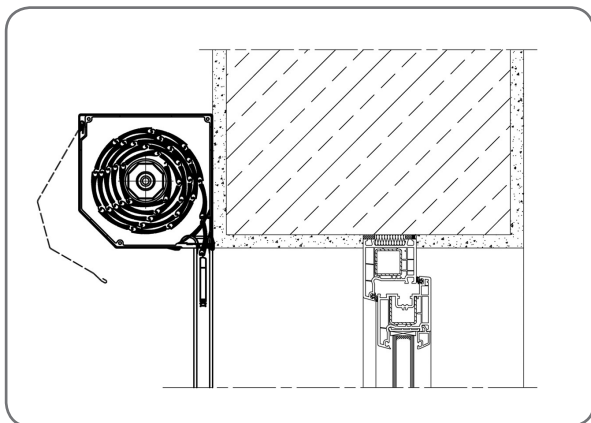


I. EXTERNAL ROLLER SHUTTER IN SK ADAPTING SYSTEM

1. INSTALLATION METHOD OF ROLLER SHUTTER IN SK ADAPTING SYSTEM

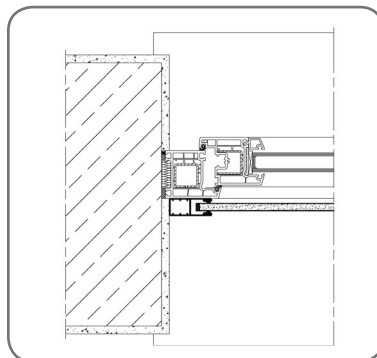
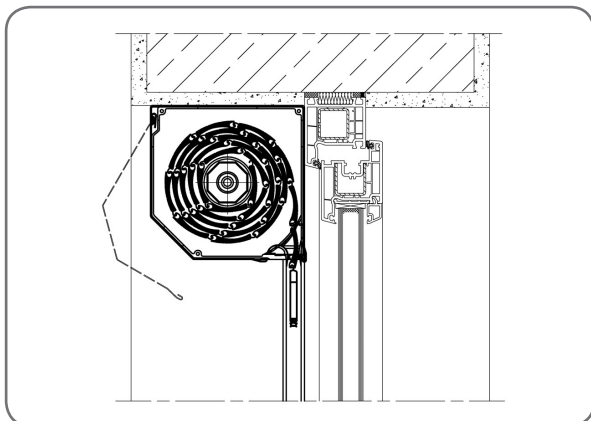
1.1. Roller shutter installed on a wall

Roller shutter with external rolling (left turn).



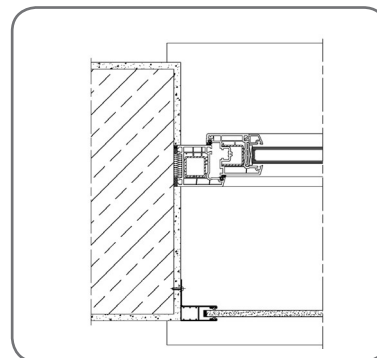
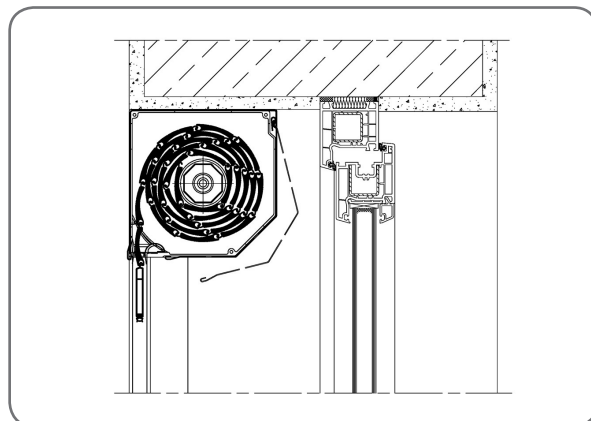
1.2. Roller shutter installed in a recess

Roller shutter with external rolling (left turn).



1.3. Roller shutter installed in a recess

Roller shutter with internal rolling (right turn).



2. DETERMINATION OF ROLLER SHUTTER DIMENSIONS

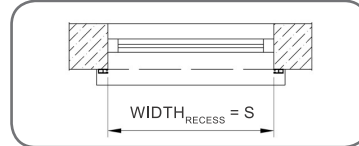
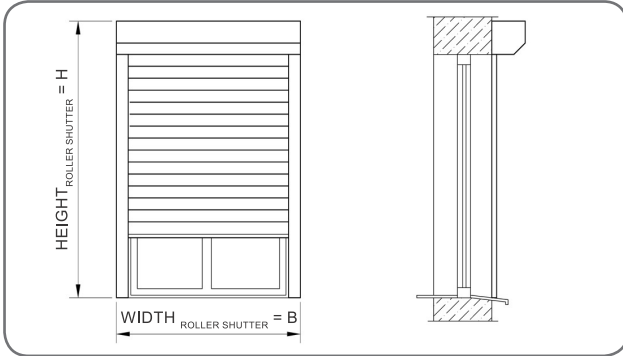
Note: Dimensions of roller shutter are determined according to the window recess.

2.1. Roller shutter installed on a wall

Roller shutter with external rolling (left turn).

a) Single roller shutter

The drive can be placed on the left or on the right side of the roller shutter.



method for the measurement of a single roller shutter:

$$WIDTH_{ROLLER SHUTTER} = WIDTH_{RECESS} + 2 \times WIDTH_{GUIDE CHANNEL}$$

$$B = S + 2 \times WIDTH_{GUIDE CHANNEL}$$

$$HEIGHT_{ROLLER SHUTTER} = HEIGHT_{RECESS} + HEIGHT_{SHUTTER BOX}$$

$$H = HEIGHT_{RECESS} + HEIGHT_{SHUTTER BOX}$$

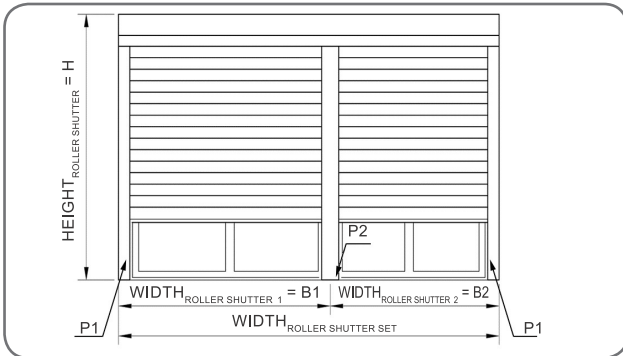
types of used guide channels:

PP 45, PP 53, PP 53/ODS, PPMO 53, PP 66, PPW 66, PP 68, PPW 80

b) Set of identical height roller shutters with compound internal end cap BSW 45, BSW_45, BSWN 45 or BSWN_45

Placing the drive in the set is possible outside (left and right side for BSW 45 and BSW_45,

left or right for BSWN 45 and BSWN_45) and inside (left of right – depending on the used end cap BSW 45 i BSW_45).



method of measurement of a set consisting of two roller shutters

$$WIDTH_{ROLLER SHUTTER SET} = WIDTH_{RECESS} + 2 \times WIDTH_{GUIDE CHANNEL P1}$$

$$WIDTH_{ROLLER SHUTTER SET} = S1 + S2 + 2 \times WIDTH_{GUIDE CHANNEL P1}$$

$$B1 = S1 + WIDTH_{GUIDE CHANNEL P1}$$

$$B2 = S2 + WIDTH_{GUIDE CHANNEL P1}$$

$$HEIGHT_{ROLLER SHUTTER} = HEIGHT_{RECESS} + HEIGHT_{SHUTTER BOX}$$

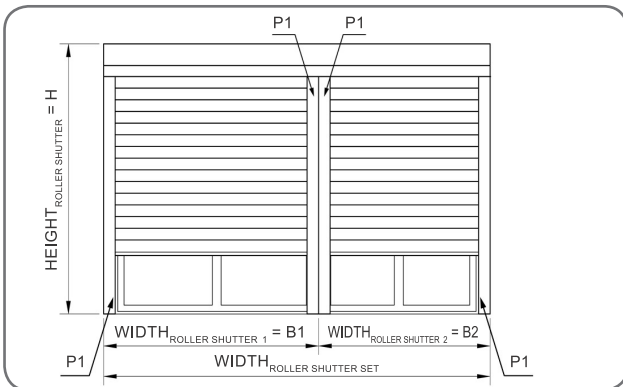
$$H = HEIGHT_{RECESS} + HEIGHT_{SHUTTER BOX}$$

types of used guide channels:

PP 53, PP 53/ODS, PPD 79, PPD 79/ODS.

c) Set of two identical height roller shutters with compound internal end caps BSWZ 45 or BSWZ_45

Placing the drive in the set is possible on the external left and/or right side or internal left and/or right side.



method of measurement of a set consisting of two roller shutters

$$WIDTH_{ROLLER SHUTTER SET} = WIDTH_{RECESS} + 2 \times WIDTH_{GUIDE CHANNEL P1}$$

$$WIDTH_{ROLLER SHUTTER SET} = S1 + S2 + 2 \times WIDTH_{GUIDE CHANNEL P1}$$

$$B1 = S1 + WIDTH_{GUIDE CHANNEL P1}$$

$$B2 = S2 + WIDTH_{GUIDE CHANNEL P1}$$

$$HEIGHT_{ROLLER SHUTTER} = HEIGHT_{RECESS} + HEIGHT_{SHUTTER BOX}$$

$$H = HEIGHT_{RECESS} + HEIGHT_{SHUTTER BOX}$$

types of used guide channels:

PP 45, PP 53, PP 53/ODS, PPMO 53, PP 66, PPW 66, PP 68, PPW 80